

ENGINEERING  
TOMORROW

*Danfoss*

Datasheets

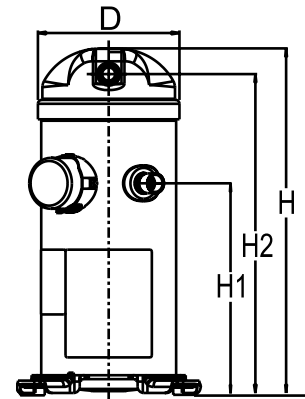
# Danfoss scroll compressors **H series**



**General Characteristics**

Model number (on compressor nameplate)		<b>HRM060T9LP6A</b>
Code number for Singlepack		<b>120U3222</b>
Code number for Industrial pack		
Drawing number		0XR6002B-2
Suction and discharge connections		Brazed
Suction connection		7/8" ODF
Discharge connection		1/2" ODF
Oil sight glass		None
Oil equalization connection		None
Oil drain connection		None
LP gauge port		None
IPR valve		Yes
Swept volume		4.94 in <sup>3</sup> /rev
Displacement @ Nominal speed		600 cfh @ 3500 rpm
Net weight		82 lbs
Oil charge		53 oz, PVE --
Maximum system test pressure Low Side / High side		- psi / - psi
Maximum differential test pressure		- psi
Maximum number of starts per hour		-
Refrigerant charge limit		12 lbs
Approved refrigerants		R22

**Dimensions**

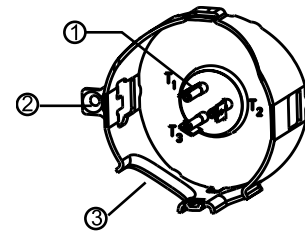


D=7.2 inch, H=17.9 inch,  
H1=11 inch, H2=16.6 inch, H3=- inch

**Electrical Characteristics**

Nominal voltage		380V/3/60Hz
Voltage range		342-418 V
Winding resistance between phases 1-2 +/- 7% at 77°F		1.48 Ω
Winding resistance between phases 1-3 +/- 7% at 77°F		1.46 Ω
Winding resistance between phases 2-3 +/- 7% at 77°F		1.49 Ω
Rated Load Amps (RLA)		11.0 A
Maximum Continuous Current (MCC)		17.0 A
Locked Rotor Amps (LRA)		81.0 A
Motor protection		Internal overload protector

**Terminal box**



IP22

- 1: Spade connectors 1/4"
- 2: Earth connection
- 3: Power cable passage

**Recommended Installation torques**

Oil sight glass		39 ft.lbs
Power connections / Earth connection		0 ft.lbs / 0 ft.lbs

**Parts shipped with compressor**

Mounting kit with grommets and sleeves
Initial oil charge
Installation instructions

**Approvals** : CE certified, UL certified (file SA11565), -

Rotolock accessories, suction side	Code no.
Rotolock valve, V05 (1-1/4" Rotolock, 7/8" ODF)	8168030
Gasket, 1-1/4"	8156131

Rotolock accessories, discharge side	Code no.
Solder sleeve, P06 (1" Rotolock, 1/2" ODF)	8153007
Angle adapter, C06 (1" Rotolock, 1/2" ODF)	8168007
Rotolock valve, V06 (1" Rotolock, 1/2" ODF)	8168031
Gasket, 1"	8156130

Rotolock accessories, sets	Code no.
Solder sleeve adapter set (1-1/4"~7/8"), (1"~1/2")	120Z0127
Gasket set, 1", 1-1/4", 1-3/4", OSG gaskets black & white	8156009

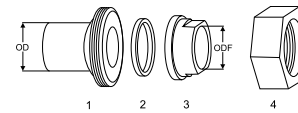
Oil / lubricants	Code no.
------------------	----------

Crankcase heaters	Code no.
Belt type crankcase heater, 50 W, 400 V, CE mark, UL	120Z0058

Miscellaneous accessories	Code no.
Acoustic hood	120Z5084
Discharge thermostat kit	7750009
IP54 upgrade kit	118U0056

Spare parts	Code no.
Mounting kit for 1 scroll compressor including 4 grommets, 4 sleeves, 4 bolts, 4 washers	120Z5064
Mounting kit for 1 scroll compressor including 4 grommets, 4 sleeves, 4 bolts, 4 washers	120Z5031
No translation for 120Z5015	120Z5015

Solder sleeve adapter set



- 1: Rotolock adapter (Suc & Dis)
- 2: Gasket (Suc & Dis)
- 3: Solder sleeve (Suc & Dis)
- 4: Rotolock nut (Suc & Dis)

**Performance data at 60 Hz, ARI rating conditions**
**R22**

Cond. temp. in °F (tc)	Evaporating temperature in °F (to)								
	-10	0	10	20	30	40	45	50	55

**Cooling capacity in Btu/h**

90	23 195	28 143	35 227	44 262	55 066	67 453	74 182	81 239	88 599
100	21 474	26 429	33 357	42 072	52 390	64 128	70 471	77 100	83 991
110	19 138	24 245	31 159	39 697	49 674	60 905	66 934	73 207	79 702
120	-	21 418	28 463	36 967	46 746	57 615	63 401	69 390	75 560
130	-	-	25 097	33 711	43 435	54 085	59 699	65 476	71 393
140	-	-	-	29 757	39 570	50 144	55 659	61 296	67 031
150	-	-	-	-	34 979	45 622	51 109	56 677	62 302

**Power input in W**

90	3 118	3 040	3 050	3 126	3 243	3 381	3 450	3 515	3 574
100	3 625	3 521	3 496	3 528	3 595	3 673	3 709	3 739	3 762
110	4 089	3 991	3 965	3 987	4 035	4 086	4 106	4 118	4 119
120	-	4 410	4 414	4 459	4 522	4 579	4 599	4 609	4 606
130	-	-	4 804	4 904	5 014	5 110	5 147	5 171	5 180
140	-	-	-	5 280	5 470	5 638	5 707	5 762	5 801
150	-	-	-	-	5 849	6 122	6 240	6 342	6 425

**Current consumption in A**

90	5.91	5.85	5.96	6.13	6.30	6.35	6.31	6.21	6.04
100	6.53	6.43	6.51	6.66	6.79	6.82	6.77	6.66	6.47
110	6.97	6.88	6.96	7.11	7.25	7.28	7.23	7.12	6.94
120	-	7.25	7.36	7.54	7.71	7.78	7.74	7.65	7.49
130	-	-	7.76	8.01	8.24	8.37	8.37	8.31	8.18
140	-	-	-	8.57	8.90	9.12	9.17	9.16	9.08
150	-	-	-	-	9.72	10.08	10.19	10.24	10.22

**Mass flow in lbs/h**

90	310	371	457	567	696	843	921	1 003	1 087
100	299	363	451	561	689	833	909	989	1 070
110	278	347	439	551	681	824	900	978	1 058
120	-	322	420	537	669	813	889	967	1 047
130	-	-	391	514	651	799	877	956	1 036
140	-	-	-	481	625	779	859	940	1 021
150	-	-	-	-	589	750	833	917	1 002

**Energy Efficiency Ratio (E.E.R.)**

90	7.44	9.26	11.55	14.16	16.98	19.95	21.50	23.11	24.79
100	5.92	7.51	9.54	11.92	14.57	17.46	19.00	20.62	22.33
110	4.68	6.07	7.86	9.96	12.31	14.91	16.30	17.78	19.35
120	-	4.86	6.45	8.29	10.34	12.58	13.79	15.06	16.40
130	-	-	5.22	6.87	8.66	10.58	11.60	12.66	13.78
140	-	-	-	5.64	7.23	8.89	9.75	10.64	11.56
150	-	-	-	-	5.98	7.45	8.19	8.94	9.70

**Nominal performance at to = 45 °F, tc = 130 °F**

Cooling capacity	59 699	Btu/h	Current consumption	8.37	A
Power input	5 147	W	Mass flow	877	lbs/h
E.E.R.	11.60				

**Pressure switch settings**

Maximum HP switch setting	421	psi(g)
Minimum LP switch setting	7	psi(g)
LP pump down setting	19	psi(g)

T 0 : Evaporating temperature at dew point

T C : Condensing temperature at dew point

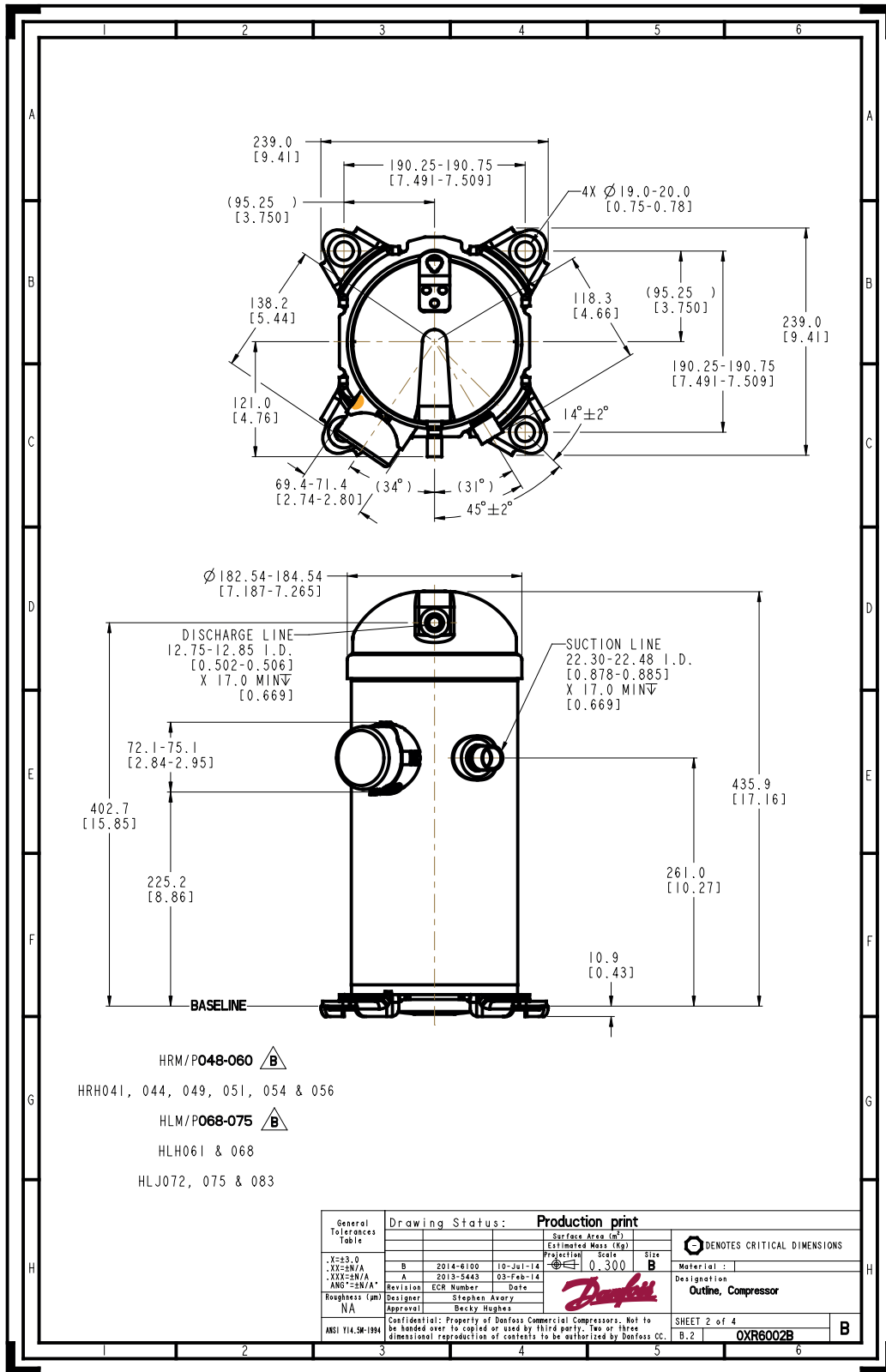
Rating conditions : Superheat = 20 °F , Subcooling = 15 °F

All performance data +/- 5%

**Sound power data**

Sound power level	74	dB(A)
With acoustic hood	69	dB(A)

Danfoss can accept no responsibility for possible errors in catalogues, brochures and other printed material. Danfoss reserves the right to alter its products without notice. This also applies to products already on order provided that such alternations can be made without subsequential changes being necessary in specifications already agreed. All trademarks in this material are property of the respective companies. Danfoss and the Danfoss logotype and Performer are trademarks of Danfoss A/S. All rights reserved.



Danfoss can accept no responsibility for possible errors in catalogues, brochures and other printed material. Danfoss reserves the right to alter its products without notice. This also applies to products already on order provided that such alterations can be made without consequential changes being necessary in specifications already agreed. All trademarks in this material are property of the respective companies. Danfoss, the Danfoss logotype and Maneurop are trademarks of Danfoss A/S. All rights reserved.