

ENGINEERING  
TOMORROW

*Danfoss*

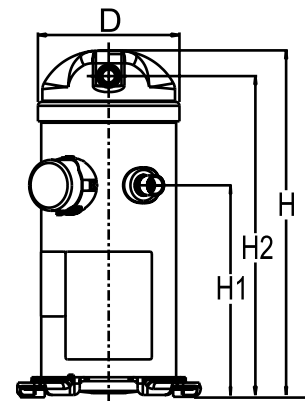
Datasheets

# Danfoss scroll compressors **H series**



**General Characteristics**

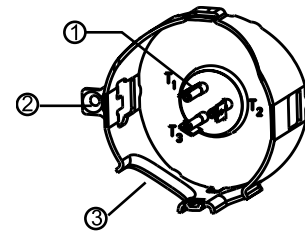
Model number (on compressor nameplate)		<b>HRM047T9LP6A</b>
Code number for Singlepack		<b>120U3207</b>
Code number for Industrial pack		
Drawing number		0XC6301B-3
Suction and discharge connections		Brazed
Suction connection		" ODF
Oil sight glass		None
Oil equalization connection		None
Oil drain connection		None
LP gauge port		None
IPR valve		Yes
Swept volume		3.91 in <sup>3</sup> /rev
Displacement @ Nominal speed		476 cfm @ 3500 rpm
Net weight		71 lbs
Oil charge		45 oz, PVE - -
Maximum system test pressure Low Side / High side		- psi / - psi
Maximum differential test pressure		- psi
Maximum number of starts per hour		-
Refrigerant charge limit		8 lbs
Approved refrigerants		R22

**Dimensions**


D=6.5 inch, H=17.3 inch,  
H1=10.8 inch, H2=15.9 inch, H3=- inch

**Electrical Characteristics**

Nominal voltage	380V/3/60Hz
Voltage range	342-418 V
Winding resistance between phases 1-2 +/- 7% at 77°F	2.51 Ω
Winding resistance between phases 1-3 +/- 7% at 77°F	1.84 Ω
Winding resistance between phases 2-3 +/- 7% at 77°F	2.51 Ω
Rated Load Amps (RLA)	8.3 A
Maximum Continuous Current (MCC)	13.0 A
Locked Rotor Amps (LRA)	59.6 A
Motor protection	Internal overload protector

**Terminal box**


IP22

- 1: Spade connectors 1/4"
- 2: Earth connection
- 3: Power cable passage

**Recommended Installation torques**

Oil sight glass	39 ft.lbs
Power connections / Earth connection	0 ft.lbs / 0 ft.lbs

**Parts shipped with compressor**

Mounting kit with grommets and sleeves
Initial oil charge
Installation instructions

**Approvals** : CE certified, UL certified (file SA11565), -

Rotolock accessories, suction side	Code no.
No translation for	
No translation for	
No translation for	
No translation for	
No translation for	
No translation for	

Rotolock accessories, discharge side	Code no.
No translation for	
No translation for	
No translation for	
No translation for	
No translation for	
No translation for	

Rotolock accessories, sets	Code no.
No translation for	
No translation for	
No translation for	
No translation for	

Oil / lubricants	Code no.
------------------	----------

Crankcase heaters	Code no.
Belt type crankcase heater, 50 W, 400 V, CE mark, UL	120Z0058

Miscellaneous accessories	Code no.
Acoustic hood	120Z5083
Discharge thermostat kit	7750009
IP54 upgrade kit	118U0056

Spare parts	Code no.
Mounting kit for 1 scroll compressor including 4 grommets, 4 sleeves, 4 bolts, 4 washers	120Z5064
Mounting kit for 1 scroll compressor including 4 grommets, 4 sleeves, 4 bolts, 4 washers	120Z5031
No translation for 120Z5015	120Z5015

**Performance data at 60 Hz, ARI rating conditions**
**R22**

Cond. temp. in °F (tc)	Evaporating temperature in °F (to)							
	-10	0	10	20	30	40	45	50

**Cooling capacity in Btu/h**

90	18 495	22 445	28 053	35 196	43 749	53 588	58 950	64 587	70 484
100	17 112	21 037	26 498	33 370	41 529	50 851	55 909	61 210	66 740
110	15 286	19 289	24 704	31 409	39 277	48 184	52 988	58 006	63 221
120	-	17 073	22 546	29 185	36 864	45 460	50 062	54 847	59 798
130	-	-	19 894	26 570	34 164	42 551	47 003	51 606	56 345
140	-	-	-	23 438	31 049	39 329	43 682	48 155	52 734
150	-	-	-	-	27 391	35 668	39 973	44 367	48 837

**Power input in W**

90	2 561	2 532	2 517	2 498	2 462	2 391	2 338	2 271	2 187
100	3 005	2 926	2 880	2 852	2 825	2 785	2 754	2 715	2 664
110	3 567	3 419	3 324	3 267	3 232	3 203	3 186	3 165	3 137
120	-	4 036	3 874	3 769	3 707	3 672	3 659	3 647	3 633
130	-	-	4 554	4 384	4 276	4 215	4 197	4 185	4 177
140	-	-	-	5 136	4 964	4 859	4 826	4 805	4 792
150	-	-	-	-	5 795	5 627	5 571	5 531	5 505

**Current consumption in A**

90	6.50	6.16	6.12	6.21	6.26	6.12	5.93	5.63	5.20
100	7.32	6.77	6.58	6.58	6.63	6.55	6.41	6.18	5.84
110	8.33	7.53	7.16	7.06	7.07	7.02	6.93	6.76	6.50
120	-	8.49	7.92	7.68	7.62	7.58	7.51	7.39	7.19
130	-	-	8.86	8.47	8.32	8.25	8.20	8.11	7.96
140	-	-	-	9.45	9.18	9.07	9.02	8.95	8.83
150	-	-	-	-	10.25	10.06	10.00	9.93	9.84

**Mass flow in lbs/h**

90	246	296	364	451	553	670	733	798	867
100	237	289	358	445	546	660	721	785	852
110	221	276	348	436	538	651	712	775	840
120	-	256	333	424	527	642	702	765	829
130	-	-	310	405	512	629	690	753	818
140	-	-	-	378	490	611	674	739	804
150	-	-	-	-	460	587	652	719	786

**Energy Efficiency Ratio (E.E.R.)**

90	7.22	8.86	11.15	14.09	17.77	22.41	25.21	28.44	32.23
100	5.69	7.19	9.20	11.70	14.70	18.26	20.30	22.55	25.06
110	4.29	5.64	7.43	9.61	12.15	15.04	16.63	18.33	20.15
120	-	4.23	5.82	7.74	9.94	12.38	13.68	15.04	16.46
130	-	-	4.37	6.06	7.99	10.10	11.20	12.33	13.49
140	-	-	-	4.56	6.26	8.09	9.05	10.02	11.00
150	-	-	-	-	4.73	6.34	7.17	8.02	8.87

**Nominal performance at to = 45 °F, tc = 130 °F**

Cooling capacity	47 003	Btu/h	Current consumption	8.20	A
Power input	4 197	W	Mass flow	690	lbs/h
E.E.R.	11.20				

**Pressure switch settings**

Maximum HP switch setting	421	psi(g)
Minimum LP switch setting	7	psi(g)
LP pump down setting	19	psi(g)

T 0 : Evaporating temperature at dew point

T C : Condensing temperature at dew point

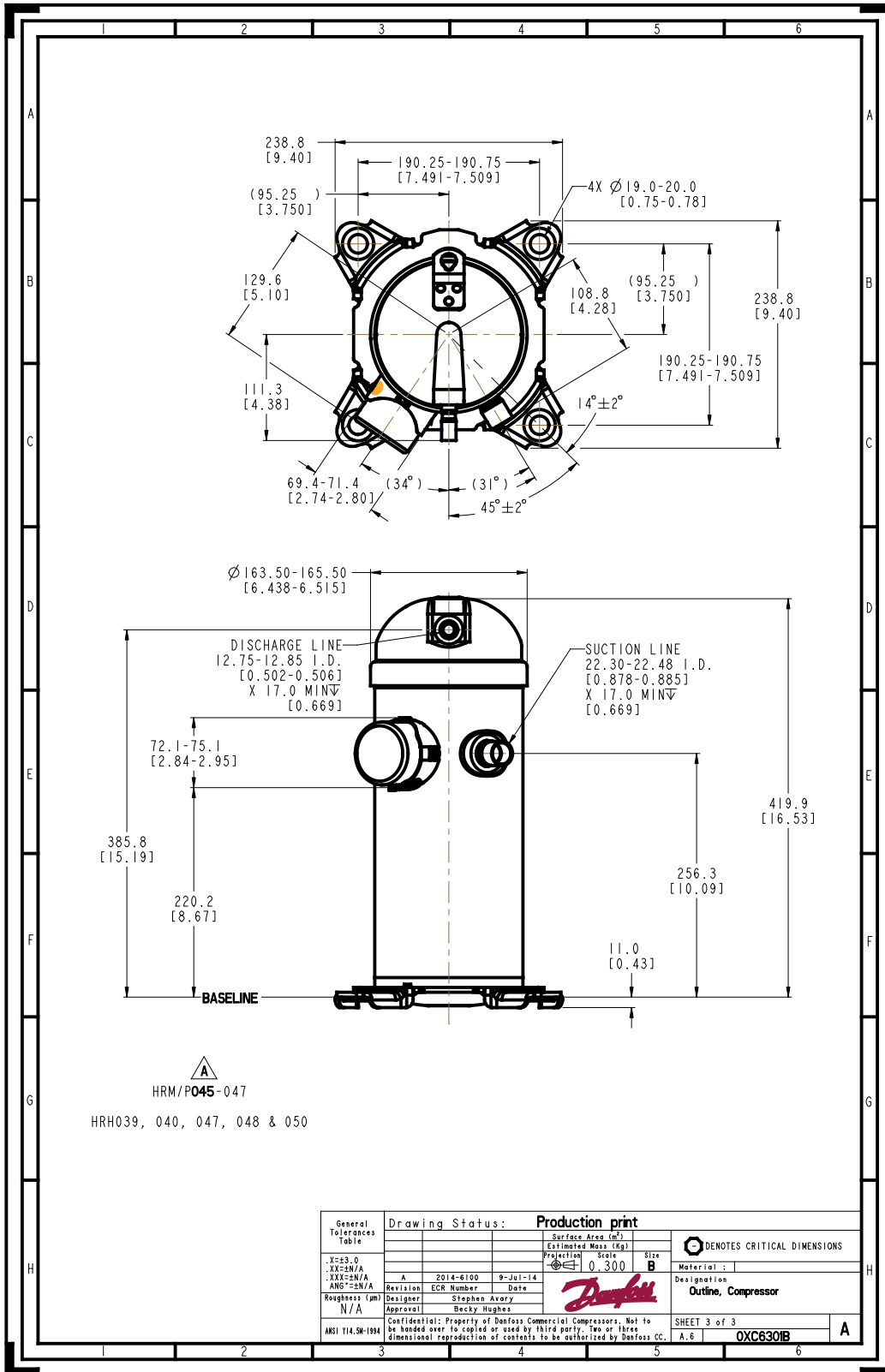
Rating conditions : Superheat = 20 °F , Subcooling = 15 °F

All performance data +/- 5%

**Sound power data**

Sound power level	71	dB(A)
With acoustic hood	66	dB(A)

Danfoss can accept no responsibility for possible errors in catalogues, brochures and other printed material. Danfoss reserves the right to alter its products without notice. This also applies to products already on order provided that such alternations can be made without subsequential changes being necessary in specifications already agreed. All trademarks in this material are property of the respective companies. Danfoss and the Danfoss logotype and Performer are trademarks of Danfoss A/S. All rights reserved.



Danfoss can accept no responsibility for possible errors in catalogues, brochures and other printed material. Danfoss reserves the right to alter its products without notice. This also applies to products already on order provided that such alterations can be made without consequential changes being necessary in specifications already agreed. All trademarks in this material are property of the respective companies. Danfoss, the Danfoss logotype and Maneurop are trademarks of Danfoss A/S. All rights reserved.