

ENGINEERING
TOMORROW

Danfoss

Datasheets

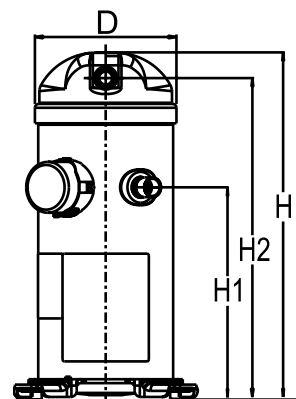
Danfoss scroll compressors **H series**



General Characteristics

Model number (on compressor nameplate)		HRM042T9LP6A
Code number for Singlepack		120U3206
Code number for Industrial pack		
Drawing number		0XC6301B-2
Suction and discharge connections		Brazed
Suction connection		3/4 " ODF
Discharge connection		1/2 " ODF
Oil sight glass		None
Oil equalization connection		None
Oil drain connection		None
LP gauge port		None
IPR valve		Yes
Swept volume		3.48 in ³ /rev
Displacement @ Nominal speed		423 cfh @ 3500 rpm
Net weight		68 lbs
Oil charge		36 oz, PVE --
Maximum system test pressure Low Side / High side		- psi / - psi
Maximum differential test pressure		- psi
Maximum number of starts per hour		-
Refrigerant charge limit		8 lbs
Approved refrigerants		R22

Dimensions

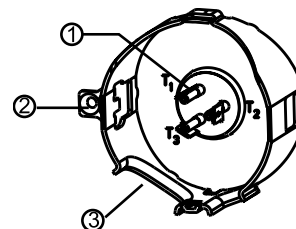


D=6.5 inch, H=16.3 inch,
H1=9.8 inch, H2=14.9 inch, H3=- inch

Electrical Characteristics

Nominal voltage		380V/3/60Hz
Voltage range		342-418 V
Winding resistance between phases 1-2 +/- 7% at 77°F		3.01 Ω
Winding resistance between phases 1-3 +/- 7% at 77°F		2.20 Ω
Winding resistance between phases 2-3 +/- 7% at 77°F		3.01 Ω
Rated Load Amps (RLA)		8.0 A
Maximum Continuous Current (MCC)		12.5 A
Locked Rotor Amps (LRA)		52.0 A
Motor protection		Internal overload protector

Terminal box



IP22

- 1: Spade connectors 1/4"
- 2: Earth connection
- 3: Power cable passage

Recommended Installation torques

Oil sight glass		39 ft.lbs
Power connections / Earth connection		0 ft.lbs / 0 ft.lbs

Parts shipped with compressor

Mounting kit with grommets and sleeves
Initial oil charge
Installation instructions

Approvals : CE certified, UL certified (file SA11565), -

Rotolock accessories, suction side	Code no.
Solder sleeve, P04 (1-1/4" Rotolock, 3/4" ODF)	8153008
Angle adapter, C04 (1-1/4" Rotolock, 3/4" ODF)	8168006
Rotolock valve, V04 (1-1/4" Rotolock, 3/4" ODF)	8168029
Gasket, 1-1/4"	8156131

Rotolock accessories, discharge side	Code no.
Solder sleeve, P06 (1" Rotolock, 1/2" ODF)	8153007
Angle adapter, C06 (1" Rotolock, 1/2" ODF)	8168007
Rotolock valve, V06 (1" Rotolock, 1/2" ODF)	8168031
Gasket, 1"	8156130

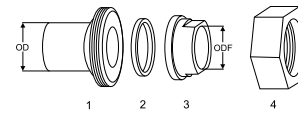
Rotolock accessories, sets	Code no.
Solder sleeve adapter set (1-1/4"~3/4"), (1"~1/2")	120Z0126
Gasket set, 1", 1-1/4", 1-3/4", OSG gaskets black & white	8156009

Oil / lubricants	Code no.

Crankcase heaters	Code no.
Belt type crankcase heater, 50 W, 400 V, CE mark, UL	120Z0058

Miscellaneous accessories	Code no.
Acoustic hood	120Z5083
Discharge thermostat kit	7750009
IP54 upgrade kit	118U0056

Spare parts	Code no.
Mounting kit for 1 scroll compressor including 4 grommets, 4 sleeves, 4 bolts, 4 washers	120Z5064
Mounting kit for 1 scroll compressor including 4 grommets, 4 sleeves, 4 bolts, 4 washers	120Z5031
No translation for 120Z5015	120Z5015

Solder sleeve adapter set


- 1: Rotolock adapter (Suc & Dis)
- 2: Gasket (Suc & Dis)
- 3: Solder sleeve (Suc & Dis)
- 4: Rotolock nut (Suc & Dis)

Performance data at 60 Hz, ARI rating conditions
R22

Cond. temp. in °F (tc)	Evaporating temperature in °F (to)								
	-10	0	10	20	30	40	45	50	55

Cooling capacity in Btu/h

90	16 209	19 662	24 575	30 835	38 328	46 942	51 633	56 562	61 714
100	15 044	18 479	23 272	29 309	36 478	44 665	49 104	53 756	58 605
110	13 499	17 006	21 768	27 673	34 607	42 457	46 689	51 108	55 699
120	-	15 119	19 941	25 803	32 592	40 194	44 265	48 496	52 874
130	-	-	17 668	23 577	30 310	37 754	41 707	45 796	50 005
140	-	-	-	20 870	27 637	35 014	38 895	42 885	46 971
150	-	-	-	-	24 451	31 849	35 703	39 640	43 648

Power input in W

90	2 488	2 467	2 452	2 433	2 396	2 332	2 285	2 227	2 157
100	2 843	2 782	2 743	2 717	2 690	2 652	2 625	2 590	2 547
110	3 273	3 156	3 078	3 029	2 996	2 968	2 952	2 934	2 910
120	-	3 611	3 478	3 390	3 335	3 302	3 289	3 278	3 267
130	-	-	3 963	3 820	3 727	3 673	3 656	3 645	3 637
140	-	-	-	4 341	4 195	4 103	4 074	4 054	4 042
150	-	-	-	-	4 757	4 612	4 563	4 527	4 503

Current consumption in A

90	5.27	5.00	4.97	5.04	5.08	4.97	4.81	4.57	4.22
100	5.94	5.49	5.34	5.34	5.38	5.31	5.20	5.02	4.74
110	6.76	6.11	5.81	5.73	5.74	5.70	5.62	5.48	5.27
120	-	6.89	6.42	6.23	6.18	6.15	6.10	6.00	5.84
130	-	-	7.19	6.87	6.75	6.69	6.65	6.58	6.46
140	-	-	-	7.67	7.45	7.36	7.32	7.26	7.17
150	-	-	-	-	8.32	8.16	8.11	8.06	7.99

Mass flow in lbs/h

90	216	259	319	395	485	587	642	699	759
100	209	253	315	391	480	580	634	690	748
110	195	243	307	384	474	574	627	683	740
120	-	227	294	375	466	567	621	676	733
130	-	-	275	359	454	558	613	669	726
140	-	-	-	337	437	544	600	658	716
150	-	-	-	-	411	524	582	642	702

Energy Efficiency Ratio (E.E.R.)

90	6.51	7.97	10.02	12.68	16.00	20.13	22.59	25.39	28.61
100	5.29	6.64	8.48	10.79	13.56	16.84	18.71	20.75	23.01
110	4.12	5.39	7.07	9.14	11.55	14.30	15.81	17.42	19.14
120	-	4.19	5.73	7.61	9.77	12.17	13.46	14.79	16.19
130	-	-	4.46	6.17	8.13	10.28	11.41	12.57	13.75
140	-	-	-	4.81	6.59	8.53	9.55	10.58	11.62
150	-	-	-	-	5.14	6.91	7.82	8.76	9.69

Nominal performance at to = 45 °F, tc = 130 °F

Cooling capacity	41 707	Btu/h	Current consumption	6.65	A
Power input	3 656	W	Mass flow	613	lbs/h
E.E.R.	11.41				

Pressure switch settings

Maximum HP switch setting	421	psi(g)
Minimum LP switch setting	7	psi(g)
LP pump down setting	19	psi(g)

T 0 : Evaporating temperature at dew point

T C : Condensing temperature at dew point

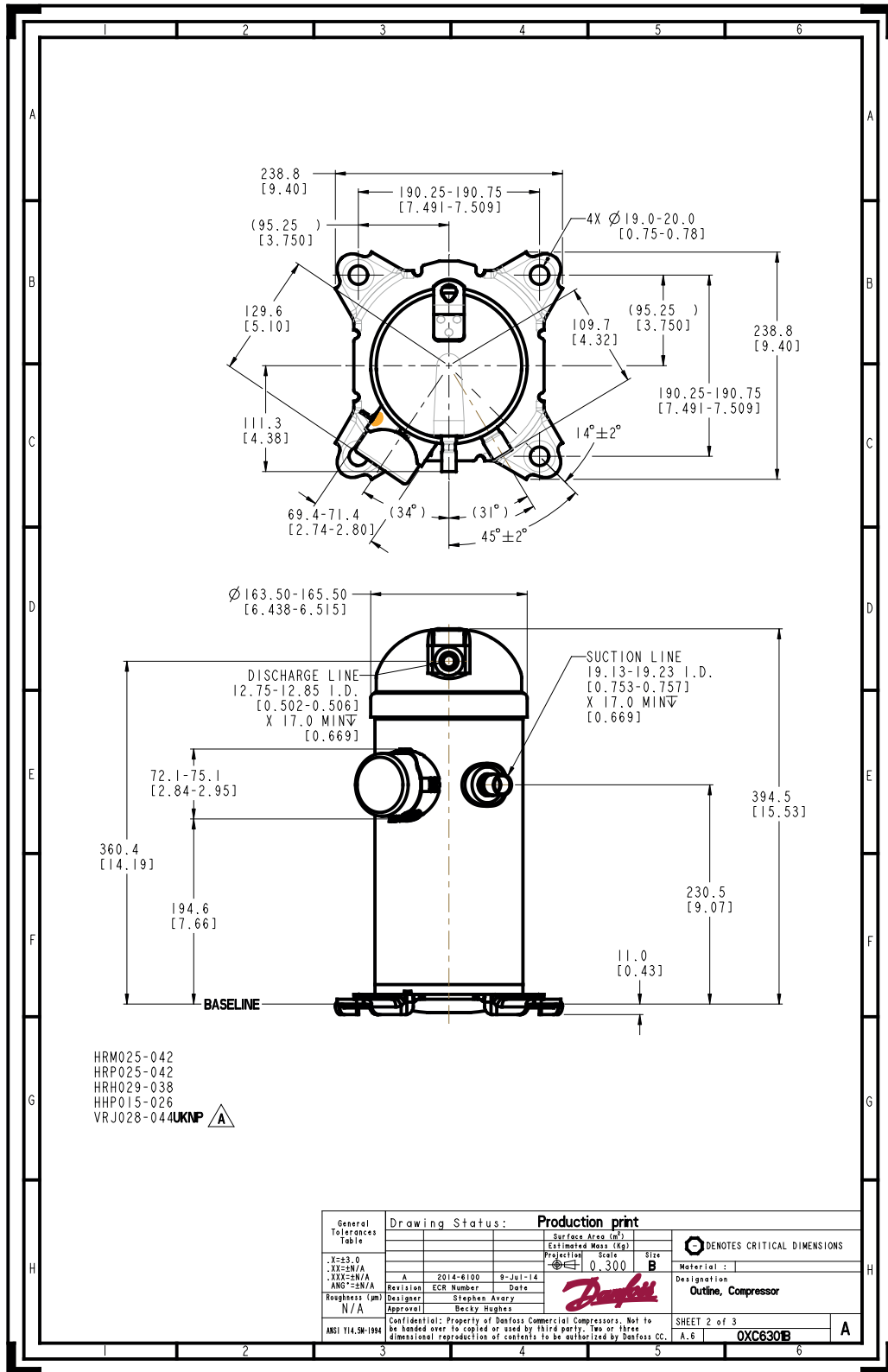
Rating conditions : Superheat = 20 °F , Subcooling = 15 °F

All performance data +/- 5%

Sound power data

Sound power level	71	dB(A)
With acoustic hood	66	dB(A)

Danfoss can accept no responsibility for possible errors in catalogues, brochures and other printed material. Danfoss reserves the right to alter its products without notice. This also applies to products already on order provided that such alternations can be made without subsequential changes being necessary in specifications already agreed. All trademarks in this material are property of the respective companies. Danfoss and the Danfoss logotype and Performer are trademarks of Danfoss A/S. All rights reserved.



Danfoss can accept no responsibility for possible errors in catalogues, brochures and other printed material. Danfoss reserves the right to alter its products without notice. This also applies to products already on order provided that such alternations can be made without subsequential changes being necessary in specifications already agreed. All trademarks in this material are property of the respective companies. Danfoss, the Danfoss logotype and Maneurop are trademarks of Danfoss A/S. All rights reserved.