

ENGINEERING
TOMORROW

Danfoss

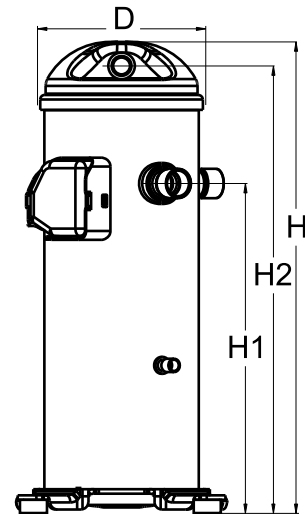
Datasheets

Danfoss scroll compressors **H series**



General Characteristics

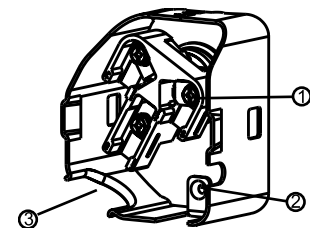
Model number (on compressor nameplate)		HLM075T7LC6A
Code number for Singlepack		120U3220
Code number for Industrial pack		
Drawing number		0XR6089B-1
Suction and discharge connections		Brazed
Suction connection		7/8 " ODF
Discharge connection		1/2 " ODF
Oil sight glass		None
Oil equalization connection		None
Oil drain connection		None
LP gauge port		None
IPR valve		Yes
Swept volume		6.27 in ³ /rev
Displacement @ Nominal speed		631 cfh @ 2900 rpm - 762 cfh @ 3500 rpm
Net weight		82 lbs
Oil charge		53 oz, PVE - -
Maximum system test pressure Low Side / High side		- psi / - psi
Maximum differential test pressure		- psi
Maximum number of starts per hour		-
Refrigerant charge limit		12 lbs
Approved refrigerants		R22

Dimensions


D=7.2 inch, H=17.9 inch,
H1=11 inch, H2=16.6 inch, H3=- inch

Electrical Characteristics

Nominal voltage	500V/3/50Hz - 575V/3/60Hz
Voltage range	450-550 V @ 50Hz - 517-632 V @ 60Hz
Winding resistance between phases 1-2 +/- 7% at 77°F	2.513 Ω
Winding resistance between phases 1-3 +/- 7% at 77°F	2.531 Ω
Winding resistance between phases 2-3 +/- 7% at 77°F	2.478 Ω
Rated Load Amps (RLA)	9 A
Maximum Continuous Current (MCC)	14 A
Locked Rotor Amps (LRA)	72 A
Motor protection	Internal overload protector

Terminal box


IP22

- 1: Screw connectors 10-32 UNF x 9.5
- 2: Earth connection
- 3: Power cable passage

Recommended Installation torques

Oil sight glass	39 ft.lbs
Power connections / Earth connection	2 ft.lbs / 1 ft.lbs

Parts shipped with compressor

Mounting kit with grommets and sleeves
Initial oil charge
Installation instructions

Approvals : CE certified, UL certified (file SA11565), -

Rotolock accessories, suction side	Code no.
Rotolock valve, V05 (1-1/4" Rotolock, 7/8" ODF)	8168030
Gasket, 1-1/4"	8156131

Rotolock accessories, discharge side	Code no.
Solder sleeve, P06 (1" Rotolock, 1/2" ODF)	8153007
Angle adapter, C06 (1" Rotolock, 1/2" ODF)	8168007
Rotolock valve, V06 (1" Rotolock, 1/2" ODF)	8168031
Gasket, 1"	8156130

Rotolock accessories, sets	Code no.
Solder sleeve adapter set (1-1/4"~7/8"), (1"~1/2")	120Z0127
Gasket set, 1", 1-1/4", 1-3/4", OSG gaskets black & white	8156009

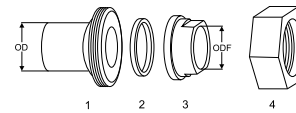
Oil / lubricants	Code no.
------------------	----------

Crankcase heaters	Code no.
-------------------	----------

Miscellaneous accessories	Code no.
Acoustic hood	120Z5084
Discharge thermostat kit	7750009

Spare parts	Code no.
Mounting kit for 1 scroll compressor including 4 grommets, 4 sleeves, 4 bolts, 4 washers	120Z5064
Mounting kit for 1 scroll compressor including 4 grommets, 4 sleeves, 4 bolts, 4 washers	120Z5031

Solder sleeve adapter set



- 1: Rotolock adapter (Suc & Dis)
- 2: Gasket (Suc & Dis)
- 3: Solder sleeve (Suc & Dis)
- 4: Rotolock nut (Suc & Dis)

Performance data at 60 Hz, ARI rating conditions

R22

Cond. temp. in °F (tc)	Evaporating temperature in °F (to)							
	-10	0	10	20	30	40	45	50

Cooling capacity in Btu/h

90	29 913	36 294	45 364	56 917	70 748	86 654	95 321	104 429	113 954
100	27 711	34 056	42 893	54 019	67 229	82 318	90 503	99 082	108 028
110	24 799	31 272	40 044	50 909	63 663	78 101	85 888	94 020	102 470
120	-	27 730	36 601	47 371	59 836	73 789	81 261	89 028	97 065
130	-	-	32 350	43 192	55 532	69 167	76 406	83 892	91 599
140	-	-	-	38 155	50 537	64 019	71 109	78 397	85 857
150	-	-	-	-	44 637	58 132	65 155	72 327	79 624

Power input in W

90	4 464	4 491	4 499	4 480	4 428	4 335	4 272	4 195	4 105
100	5 004	4 999	4 991	4 973	4 938	4 878	4 838	4 788	4 729
110	5 617	5 565	5 527	5 496	5 463	5 424	5 399	5 369	5 334
120	-	6 224	6 142	6 083	6 039	6 004	5 988	5 972	5 954
130	-	-	6 868	6 767	6 698	6 654	6 640	6 629	6 621
140	-	-	-	7 582	7 473	7 406	7 386	7 374	7 369
150	-	-	-	-	8 399	8 295	8 262	8 241	8 232

Current consumption in A

90	5.76	5.85	5.90	5.93	5.93	5.92	5.91	5.89	5.88
100	6.32	6.37	6.40	6.41	6.41	6.40	6.40	6.40	6.40
110	7.08	7.09	7.09	7.08	7.08	7.07	7.08	7.08	7.09
120	-	8.02	7.99	7.96	7.94	7.94	7.94	7.96	7.98
130	-	-	9.10	9.04	9.01	9.00	9.01	9.03	9.06
140	-	-	-	10.34	10.29	10.28	10.29	10.31	10.34
150	-	-	-	-	11.80	11.77	11.78	11.80	11.84

Mass flow in lbs/h

90	398	478	589	729	895	1 083	1 185	1 291	1 401
100	384	467	580	720	884	1 069	1 168	1 271	1 378
110	359	448	565	707	872	1 056	1 154	1 256	1 361
120	-	416	540	688	856	1 042	1 140	1 242	1 346
130	-	-	503	658	833	1 022	1 122	1 225	1 330
140	-	-	-	616	798	995	1 098	1 203	1 310
150	-	-	-	-	750	956	1 063	1 171	1 282

Energy Efficiency Ratio (E.E.R.)

90	6.70	8.08	10.08	12.70	15.98	19.99	22.32	24.89	27.76
100	5.54	6.81	8.59	10.86	13.62	16.87	18.71	20.69	22.84
110	4.42	5.62	7.24	9.26	11.65	14.40	15.91	17.51	19.21
120	-	4.46	5.96	7.79	9.91	12.29	13.57	14.91	16.30
130	-	-	4.71	6.38	8.29	10.39	11.51	12.66	13.84
140	-	-	-	5.03	6.76	8.64	9.63	10.63	11.65
150	-	-	-	-	5.31	7.01	7.89	8.78	9.67

Nominal performance at to = 45 °F, tc = 130 °F

Cooling capacity	76 406	Btu/h	Current consumption	9.01	A
Power input	6 640	W	Mass flow	1 122	lbs/h
E.E.R.	11.51				

Pressure switch settings

Maximum HP switch setting	421	psi(g)
Minimum LP switch setting	7	psi(g)
LP pump down setting	19	psi(g)

T 0 : Evaporating temperature at dew point

T C : Condensing temperature at dew point

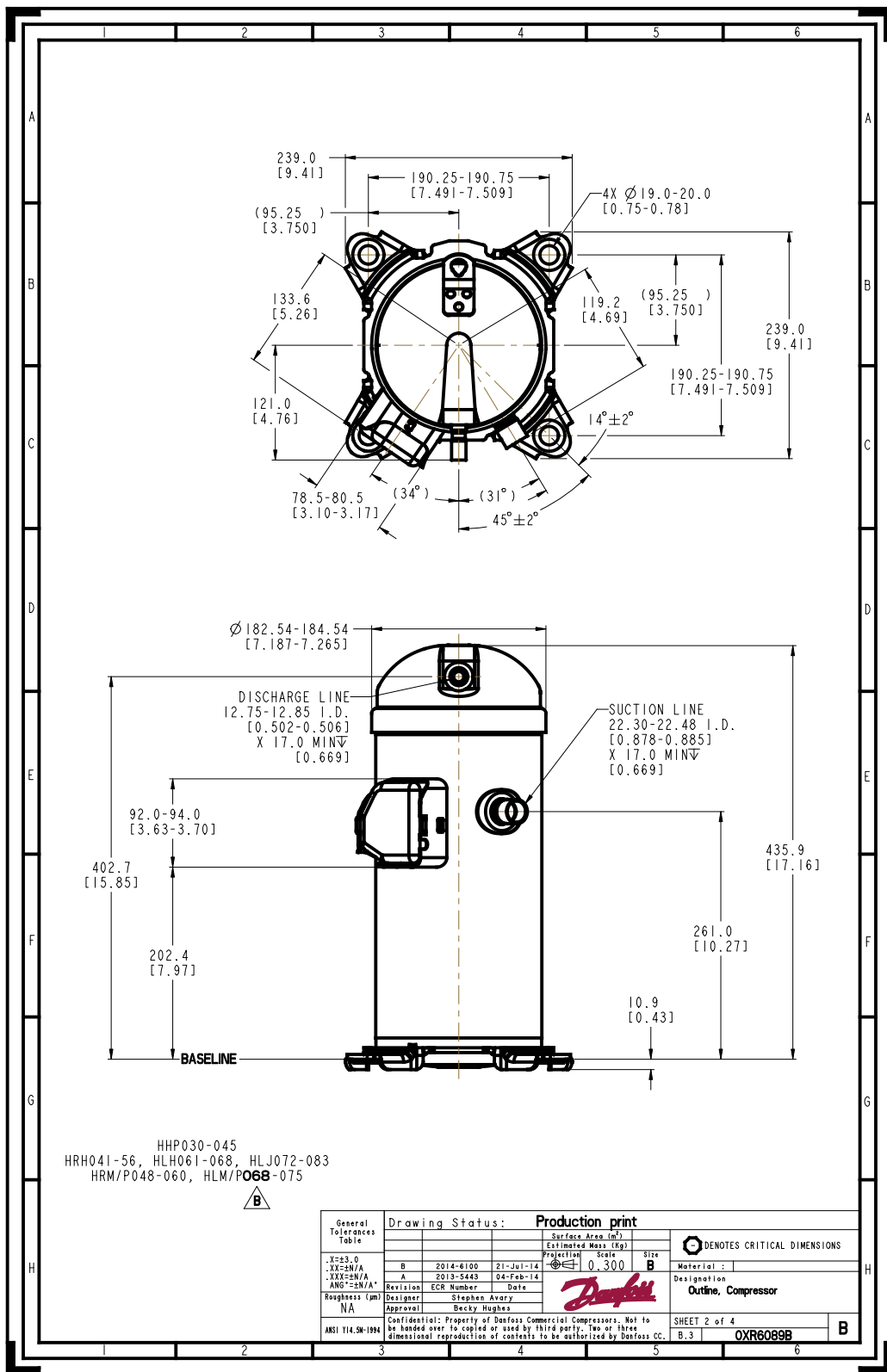
Rating conditions : Superheat = 20 °F , Subcooling = 15 °F

All performance data +/- 5%

Sound power data

Sound power level	74	dB(A)
With acoustic hood	69	dB(A)

Danfoss can accept no responsibility for possible errors in catalogues, brochures and other printed material. Danfoss reserves the right to alter its products without notice. This also applies to products already on order provided that such alternations can be made without subsequential changes being necessary in specifications already agreed. All trademarks in this material are property of the respective companies. Danfoss and the Danfoss logotype and Performer are trademarks of Danfoss A/S. All rights reserved.



Danfoss can accept no responsibility for possible errors in catalogues, brochures and other printed material. Danfoss reserves the right to alter its products without notice. This also applies to products already on order provided that such alternations can be made without consequential changes being necessary in specifications already agreed. All trademarks in this material are property of the respective companies. Danfoss, the Danfoss logotype and Maneurop are trademarks of Danfoss A/S. All rights reserved.