

ENGINEERING
TOMORROW

Danfoss

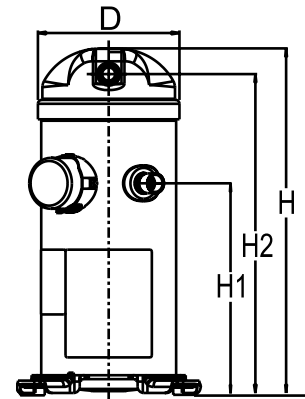
Datasheets

Danfoss scroll compressors **H series**



General Characteristics

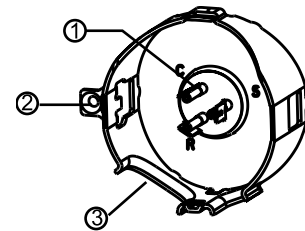
Model number (on compressor nameplate)		HRM032T5LP6A
Code number for Singlepack		120U3272
Code number for Industrial pack		
Drawing number		0XC6301B-2
Suction and discharge connections		Brazed
Suction connection		3/4" ODF
Discharge connection		1/2" ODF
Oil sight glass		None
Oil equalization connection		None
Oil drain connection		None
LP gauge port		None
IPR valve		Yes
Swept volume		2.66 in ³ /rev
Displacement @ Nominal speed		268 cfh @ 2900 rpm
Net weight		68 lbs
Oil charge		36 oz, PVE --
Maximum system test pressure Low Side / High side		- psi / - psi
Maximum differential test pressure		- psi
Maximum number of starts per hour		-
Refrigerant charge limit		8 lbs
Approved refrigerants		R22

Dimensions


D=6.5 inch, H=16.3 inch,
H1=9.8 inch, H2=14.9 inch, H3=- inch

Electrical Characteristics

Nominal voltage	230V/1/50Hz
Voltage range	207-253 V
Winding resistance (main / start) at 25°C	0.69 Ω / 1.509 Ω
Run capacitors A + C	70 uF + - uF
Start capacitor B	145-175 uF
Start relay	3ARR3*3AL*
Rated Load Amps (RLA)	14.7 A
Maximum Continuous Current (MCC)	23 A
Locked Rotor Amps (LRA)	97 A
Motor protection	Internal overload protector

Terminal box


IP22

- 1: Spade connectors 1/4"
- 2: Earth connection
- 3: Power cable passage

Recommended Installation torques

Oil sight glass	39 ft.lbs
Power connections / Earth connection	0 ft.lbs / 0 ft.lbs

Parts shipped with compressor

Mounting kit with grommets and sleeves
Initial oil charge
Installation instructions

Approvals : CE certified, UL certified (file SA11565), -

Rotolock accessories, suction side
Code no.

Solder sleeve, P04 (1-1/4" Rotolock, 3/4" ODF)	8153008
Angle adapter, C04 (1-1/4" Rotolock, 3/4" ODF)	8168006
Rotolock valve, V04 (1-1/4" Rotolock, 3/4" ODF)	8168029
Gasket, 1-1/4"	8156131

Rotolock accessories, discharge side
Code no.

Solder sleeve, P06 (1" Rotolock, 1/2" ODF)	8153007
Angle adapter, C06 (1" Rotolock, 1/2" ODF)	8168007
Rotolock valve, V06 (1" Rotolock, 1/2" ODF)	8168031
Gasket, 1"	8156130

Rotolock accessories, sets
Code no.

Solder sleeve adapter set (1-1/4"~3/4"), (1"~1/2")	120Z0126
Gasket set, 1", 1-1/4", 1-3/4", OSG gaskets black & white	8156009

Oil / lubricants
Code no.
Crankcase heaters
Code no.

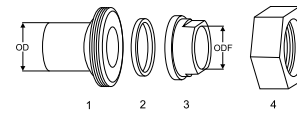
Belt type crankcase heater, 40 W, 230 V, CE mark, UL	120Z0055
--	----------

Miscellaneous accessories
Code no.

Acoustic hood	120Z5083
Discharge thermostat kit	7750009
IP54 upgrade kit	118U0056

Spare parts
Code no.

Mounting kit for 1 scroll compressor including 4 grommets, 4 sleeves, 4 bolts, 4 washers	120Z5064
Mounting kit for 1 scroll compressor including 4 grommets, 4 sleeves, 4 bolts, 4 washers	120Z5031
No translation for 120Z5015	120Z5015

Solder sleeve adapter set


- 1: Rotolock adapter (Suc & Dis)
- 2: Gasket (Suc & Dis)
- 3: Solder sleeve (Suc & Dis)
- 4: Rotolock nut (Suc & Dis)

Performance data at 50 Hz, ARI rating conditions

R22

Cond. temp. in °F (tc)	Evaporating temperature in °F (to)							
	-10	0	10	20	30	40	45	50

Cooling capacity in Btu/h

90	10 011	13 283	17 033	21 359	26 362	32 141	35 352	38 794	42 479
100	8 931	12 136	15 769	19 930	24 717	30 231	33 291	36 570	40 080
110	7 764	10 905	14 426	18 424	23 000	28 253	31 164	34 282	37 619
120	-	9 611	13 022	16 861	21 230	26 225	28 989	31 948	35 112
130	-	-	11 575	15 260	19 424	24 166	26 785	29 585	32 580
140	-	-	-	13 638	17 601	22 093	24 569	27 214	30 040
150	-	-	-	-	15 781	20 027	22 360	24 851	27 511

Power input in W

90	1 642	1 671	1 681	1 678	1 672	1 669	1 670	1 676	1 686
100	1 773	1 818	1 839	1 843	1 838	1 831	1 829	1 830	1 834
110	1 897	1 962	1 999	2 014	2 014	2 008	2 005	2 002	2 002
120	-	2 101	2 157	2 187	2 197	2 196	2 193	2 190	2 188
130	-	-	2 311	2 360	2 384	2 392	2 392	2 391	2 389
140	-	-	-	2 528	2 571	2 592	2 597	2 599	2 600
150	-	-	-	-	2 755	2 794	2 806	2 813	2 818

Current consumption in A

90	7.58	7.91	8.05	8.06	8.00	7.95	7.95	7.97	8.03
100	7.85	8.30	8.53	8.60	8.58	8.55	8.54	8.56	8.60
110	8.21	8.78	9.10	9.24	9.27	9.26	9.26	9.27	9.30
120	-	9.47	9.89	10.11	10.19	10.20	10.21	10.21	10.24
130	-	-	11.00	11.30	11.44	11.49	11.50	11.51	11.53
140	-	-	-	12.94	13.14	13.23	13.25	13.27	13.28
150	-	-	-	-	15.40	15.53	15.57	15.59	15.61

Mass flow in lbs/h

90	134	175	221	274	333	401	439	479	521
100	125	167	213	266	325	392	430	469	511
110	115	157	203	256	315	382	419	458	500
120	-	146	192	245	304	370	407	445	487
130	-	-	180	233	291	357	393	432	473
140	-	-	-	220	278	344	379	417	458
150	-	-	-	-	264	329	365	402	442

Energy Efficiency Ratio (E.E.R.)

90	6.10	7.95	10.13	12.73	15.77	19.26	21.16	23.15	25.19
100	5.04	6.68	8.58	10.81	13.45	16.51	18.20	19.99	21.86
110	4.09	5.56	7.22	9.15	11.42	14.07	15.55	17.12	18.79
120	-	4.57	6.04	7.71	9.66	11.94	13.22	14.59	16.05
130	-	-	5.01	6.47	8.15	10.10	11.20	12.38	13.64
140	-	-	-	5.39	6.85	8.52	9.46	10.47	11.55
150	-	-	-	-	5.73	7.17	7.97	8.83	9.76

Nominal performance at to = 45 °F, tc = 130 °F

Cooling capacity	26 785	Btu/h	Current consumption	11.50	A
Power input	2 392	W	Mass flow	393	lbs/h
E.E.R.	11.20				

Pressure switch settings

Maximum HP switch setting	421	psi(g)
Minimum LP switch setting	7	psi(g)
LP pump down setting	19	psi(g)

T 0 : Evaporating temperature at dew point

T C : Condensing temperature at dew point

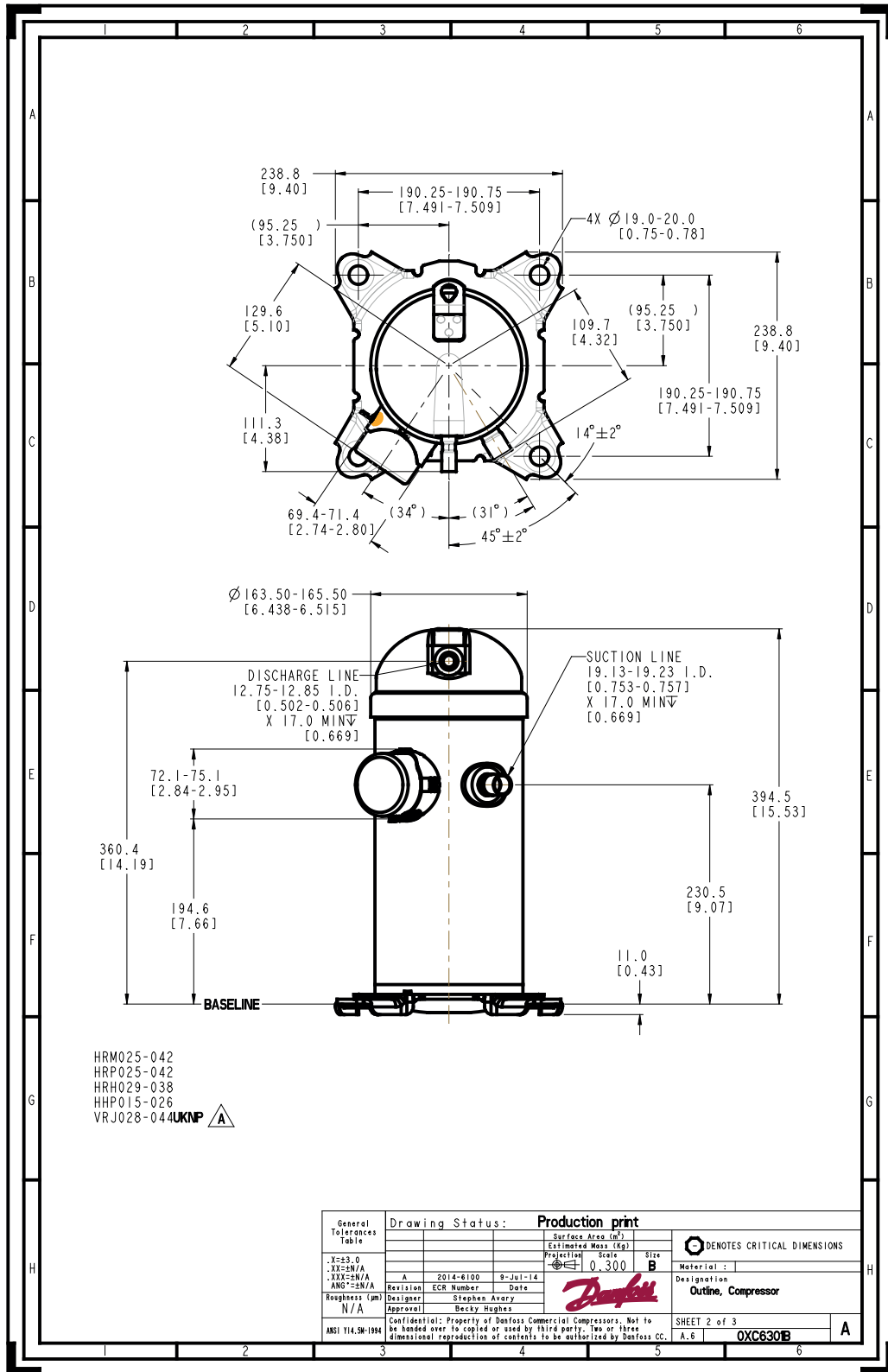
Rating conditions : Superheat = 20 °F , Subcooling = 15 °F

All performance data +/- 5%

Sound power data

Sound power level	67	dB(A)
With acoustic hood	62	dB(A)

Danfoss can accept no responsibility for possible errors in catalogues, brochures and other printed material. Danfoss reserves the right to alter its products without notice. This also applies to products already on order provided that such alternations can be made without subsequential changes being necessary in specifications already agreed. All trademarks in this material are property of the respective companies. Danfoss and the Danfoss logotype and Performer are trademarks of Danfoss A/S. All rights reserved.



Danfoss can accept no responsibility for possible errors in catalogues, brochures and other printed material. Danfoss reserves the right to alter its products without notice. This also applies to products already on order provided that such alternations can be made without subsequential changes being necessary in specifications already agreed. All trademarks in this material are property of the respective companies. Danfoss, the Danfoss logotype and Maneurop are trademarks of Danfoss A/S. All rights reserved.